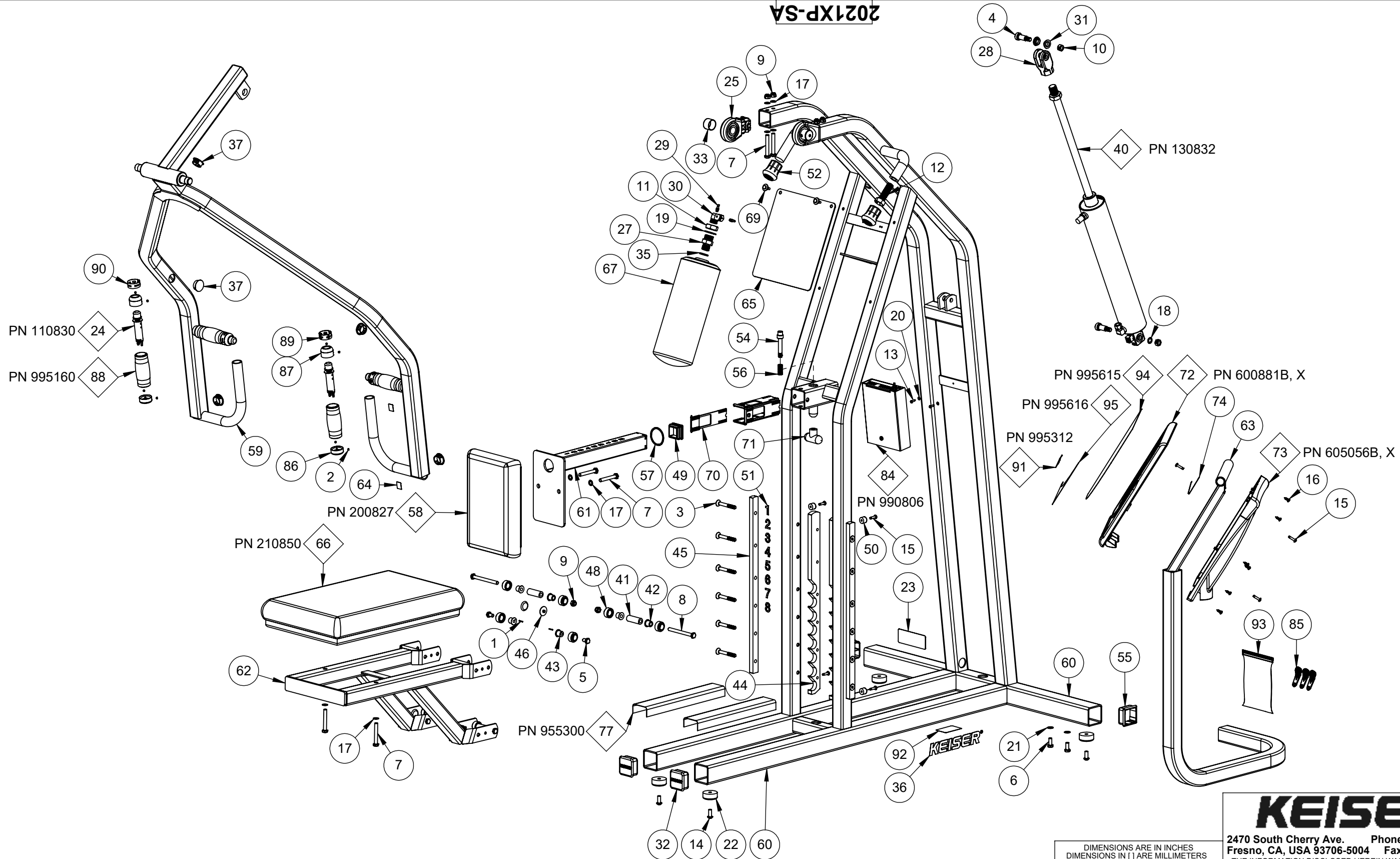


2021XP-SA



◆ COMMONLY SERVICED COMPONENTS

NOTE:

2021XP-SA COVERS THE FOLLOWING MODELS: 2021BP, 2021PP AND 2021XP

A		3825	RFP				BJU	LC	1/25/21	TITLE:	<b>A-250 UPPER BACK - SA</b>				
REV	ECO			REVISION DESCRIPTION	BY	CKD	DATE	SHEET	1 OF 2	SCALE:	1:10	DRAWING SIZE:	B	PART#:	2021XP-SA

DIMENSIONS ARE IN INCHES  
DIMENSIONS IN [ ] ARE MILLIMETERS  
BREAK SHARP EDGES .005-.015 (.10-.40)  
MACHINED SURFACE FINISH IS  
63 MICRONS [1.6 MICROMETERS]  
DO NOT SCALE DRAWING

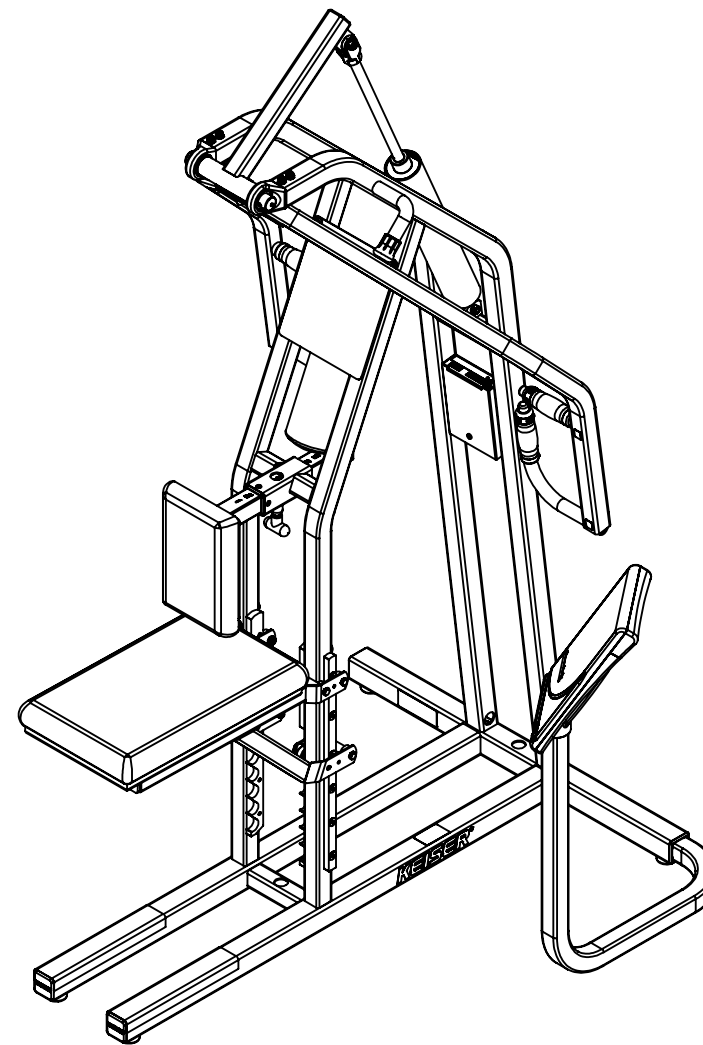
**KEISER**<sup>®</sup>  
2470 South Cherry Ave. Phone: (559) 256-8000  
Fresno, CA, USA 93706-5004 Fax: (559) 256-8100  
THE INFORMATION DISCLOSED HEREIN WAS ORIGINATED BY  
AND IS THE PROPERTY OF KEISER CORP. AND ALL PATENT,  
PROPRIETARY, DESIGN, USE, SALE, MANUFACTURING, AND  
REPRODUCTION RIGHTS THERE TO ARE RESERVED BY KEISER  
CORP.

DRAWN BY: BJU DATE DRAWN: 1/15/21 CHECKED BY: LC DATE CHECKED: 1/25/21  
MATERIAL: RAW MAT: MASS (Kg):

X:\drawings\REVISION\20\_UPPER\_BACK\ PRINTED ON: 1/25/2021 SW2006 V5.1

ITEM NO.	QTY.	PART NO.	TITLE	ITEM NO.	QTY.	PART NO.	TITLE
1	4	9009	PIN-SPRING - 1/16 X 1/2	64	1	205331	DECAL - 1-2
2	16	9014	SCREW - HSSS 8-32 X 1/8 SS	65	1	205416	PLACARD - 2035
3	12	9079	SCREW - SFCHCS 5/16-18 X2 1/2	66	1	210850	BACK CUSHION
4	2	9127	SCREW - SHSS 1/2 X 1 ZP	67	1	255318	TANK - 140 CU IN
5	4	9174	SCREW - HHCS 5/16-18 X 1/2 ZP	68	4	265310	Y CONNECTOR - 1/8 DIA-PL
6	2	9175	SCREW - HHCS 5/16-18 X 3/4 ZP	69	2	265404	PLASTIC RIVET
7	8	9179	SCREW - HHCS 5/16-18 X 2-1/4 ZP	70	4	505068	BUSHING - 4 PIECE
8	4	9183	SCREW - HHCS 5/16-18 X 3-1/2 ZP	71	1	555059	KNOB - T-BLACK
9	8	9226	NUT - HELN 5/16-18 ZP	72	1	600881X	DISPLAY BOX - 5 WIN
10	2	9227	NUT - HRLN 3/8-16 ZP	73	1	605056	DISPLAY BOX - BACK
11	1	9231	NUT - HJN 3/4-10 ZP	74	1	605428	GROUND CLAMP - DISPLAY
12	1	9251	SCREW - HHCS 5/8-18 X 2 ZP	75	1	953101	TUBING - .375 OD X .062 W-PE BLK
13	2	9272	SCREW - CRPHTS-TF #6-32 X 1/2 SS	76	1	953108	TUBING - 1/4 URETHANE BLK
14	4	9279	SCREW - SBHTS-TF 5/16-18 X 3/4 ZP	77	2	955300	STRIP - PROTECTOR-4 INCH
15	7	9285	SCREW - CRPHTS 10-24 X 3/4 ZP	78	6	962004	CON - 2MM-2-S
16	6	9291	SCREW - CRPHTS 8 X 1/2 ZP	79	4	962005	CON - MOD - P-4P-4C
17	12	9353	WASHER - ACFT-5/16 ZP	80	1	962016	CON - MOD-COUPLER-6-6
18	1	9355	WASHER - FW-ACFT-3/8 SS	81	4	962017	CON-MOD-P-6P-6C
19	1	9364	WASHER - ITLW 3/4 ZP	82	1	966701	WIRE - CABLE-4-26 GA
20	2	9366	WASHER - ITLW #6 ZP	83	1	966702	WIRE - CABLE-6-26GA
21	2	9389	WASHER - ITLW 5/16 ZP	84	1	990806	ASSY - PROCESSOR BOX
22	4	105423	BUMPER - MOLDED GLIDE	85	3	990812	KEY - DATA-CS
23	1	105443	DECAL - SERIAL NUMBER	86	4	995000	COLLAR - GRIP
24	4	110830	ASSY - TB VALVE-DIG	87	4	995001	CAP - GRIP W HOLE
25	2	110894	BEARING ASSY	88	4	995160	GRIP - MOLDED
26	1	110897	ASSY - QD-MALE	89	2	995300	DECAL - TB-PLUS
27	1	115000	BUSHING - TANK	90	2	995301	DECAL - TB-MINUS
28	1	115005	CLEVIS - CYLINDER-2-1/2	91	1	995312	DECAL - SEAT, ARM, CHEST-POWER
29	2	115019	BARBED CONN - 1/4 X 10-32	92	1	995324	DECAL - MADE IN THE USA
30	1	115040	3/8 TAPPED ELBOW	93	1	995418	BAG - 4 X 6 X 4MIL-ZIP LOCK
31	2	115051	BEARING - FLANGE-.5 ID	94	1	995615	PLACARD - ENG-POWER-BLK
32	3	115054	PLUG - 2 IN SQ-KEISER	95	1	995616	PLACARD - ENG-KEY-RED
33	2	115067	CAP - Ø1 X 3/4				
34	1	115323	FILTER - IN LINE				
35	1	115333	O-RING - .943 X .737 X .103				
36	2	115372	DECAL - KEISER LOGO-1 1/4" RED				
37	7	115404	PLUG - HOLE-1 DIA				
38	16	115423	TIE - 8 IN-PL BLK				
39	1	115429	PLASTIC TIE - 10" RED				
40	1	130832	ASSY - EC-2.5 X 12				
41	4	132181	TUBE - ROLLER				
42	8	132200	AXLE				
43	4	132201	AXLE - THREADED				
44	2	135005	SEAT - RACK				
45	2	135006	SEAT - RAIL				
46	4	135055	STEM BUMPER				
47	1	135056	CAP - 1.500 SQ-PL				
48	12	135060	ROLLER				
49	1	135061	1.5 SQ.INSRT GLD-RIBS				
50	4	135076	PLASTIC BUMPER				
51	1	135306	DECAL - SEAT-1-10				
52	2	135422	RUBBER CRUTCH TIP - #20 BLK				
53	2	170891	ASSY - MUFFLER-LONG				
54	1	172180	PLUNGER				
55	1	175051	2 SQ. BUSHING				
56	1	175500	SPRING - PLUNGER				
57	1	175502	SPRING RING - 1.750 ID				
58	1	200827	CHEST CUSHION				
59	1	200909	EX ARM				
60	1	200911	MAIN FRM				
61	1	200912	WELDT - SUPPORT-CHEST				
62	1	200920	SEAT - A250				
63	1	200925	WELDT - DISPLAY MT				

2021XP-SA



PRINTED ON: 1/25/2021 SW2006 V5.1

X:\drawings\REVISION\20\_UPPER\_BACK\

**KEISER**<sup>®</sup>

2470 South Cherry Ave. Phone: (559) 256-8000  
 Fresno, CA, USA 93706-5004 Fax: (559) 256-8100

THE INFORMATION DISCLOSED HEREIN WAS ORIGINATED BY AND IS THE PROPERTY OF KEISER CORP. AND ALL PATENT, PROPRIETARY, DESIGN, USE, SALE, MANUFACTURING, AND REPRODUCTION RIGHTS THERETO ARE RESERVED BY KEISER CORP.

DIMENSIONS ARE IN INCHES  
 DIMENSIONS IN [ ] ARE MILLIMETERS  
 BREAK SHARP EDGES .005-.015 [.10-.40]  
 MACHINED SURFACE FINISH IS  
 63 MICROINCHES [1.6 MICROMETERS]  
 DO NOT SCALE DRAWING

DRAWN BY: BJU	DATE DRAWN: 1/15/21	CHECKED BY: LC	DATE CHECKED: 1/25/21
---------------	---------------------	----------------	-----------------------

MATERIAL:  
 RAW MAT: MASS (Kg):

REV	ECO	REVISION DESCRIPTION	BY	CKD	DATE
A	3825	RFP	BJU	LC	1/25/21

TITLE: **A-250 UPPER BACK - SA**  
 SHEET **2** OF **2** SCALE: **1:14** DRAWING SIZE: **B** PART#: **2021XP-SA**