

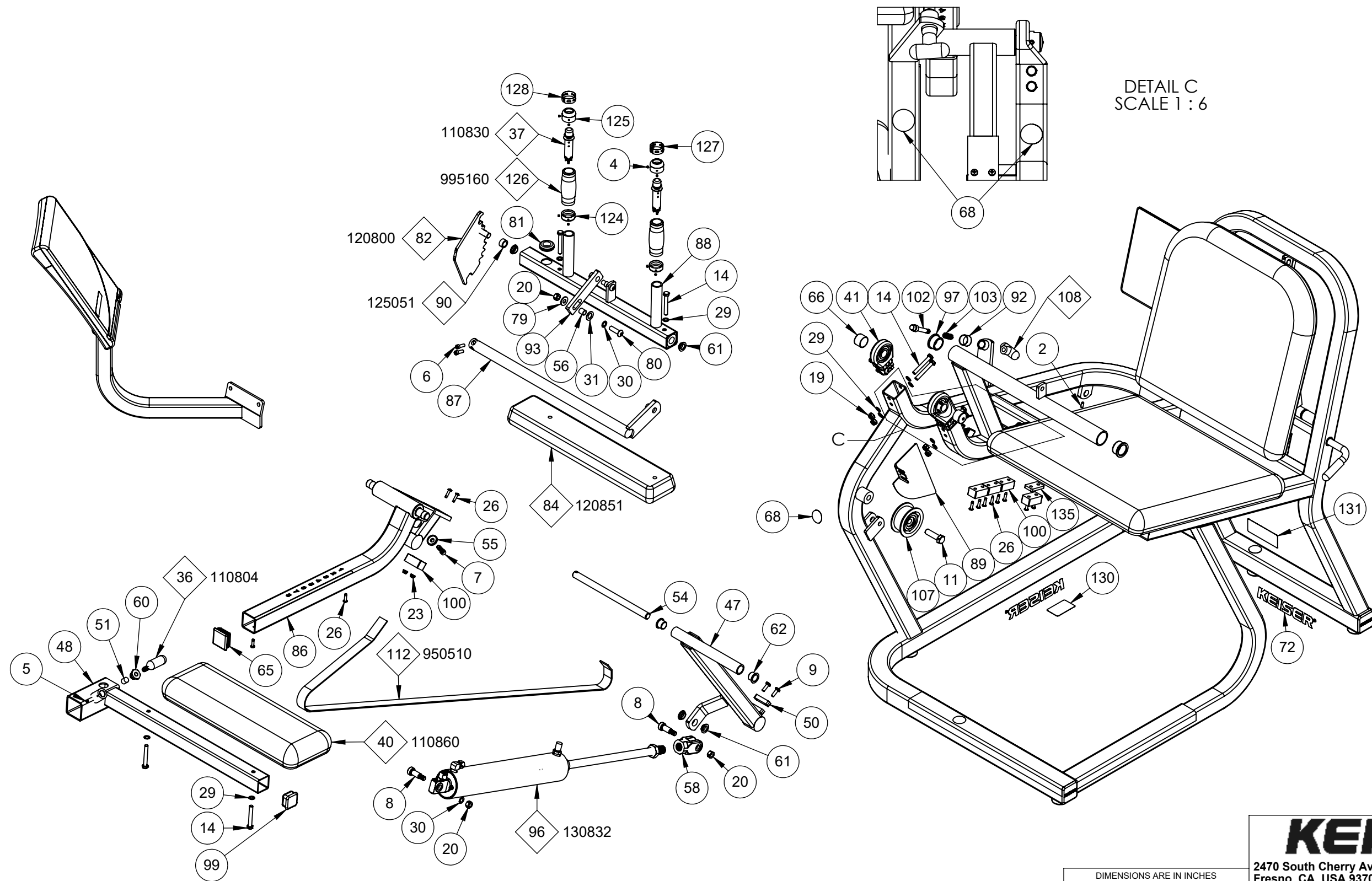
COMMONLY SERVICED COMPONENTS



- | | | | | | | | | | | | | | |
|-----|------|----------------------|--|-----|----|--|-------------------------------|---|--|----------------|-----------------|----------------------|--|
| | | | | | | BREADED SURFACE FINISH IS 63 MICRORINCHES [1.6 MICROMETERS] DO NOT SCALE DRAWING | | AND IS THE PROPERTY OF KEISER CORP. AND ALL PATENT, PROPRIETARY, DESIGN, USE, SALE, MANUFACTURING, AND REPRODUCTION RIGHTS THERETO ARE RESERVED BY KEISER CORP. | | | | | |
| | | | | | | DRAWN BY: BJU | | DATE DRAWN: 4/13/21 | | CHECKED BY: LC | | DATE CHECKED: 7/2/21 | |
| | | | | | | MATERIAL: | | | | | | | |
| | | | | | | RAW MAT: MASS (Kg): | | | | | | | |
| A | 3877 | RFP | | BJU | LC | 7/2/21 | TITLE: A250 LEG CURL - PWR-SA | | | | | | |
| REV | ECO | REVISION DESCRIPTION | | | BY | CKD | DATE | SHEET 1 OF 3 | | SCALE: 1:10 | DRAWING SIZE: B | PART#: 1221XP-SA | |

PRINTED ON: 7/2/2021 SW2006 V5.1

X:\drawings\REVISION\12_LEG_CURL\



DETAIL C
SCALE 1:6

KEISER

2470 South Cherry Ave. Phone: (559) 256-8000
Fresno, CA, USA 93706-5004 Fax: (559) 256-8100

THE INFORMATION DISCLOSED HEREIN WAS ORIGINATED BY
AND IS THE PROPERTY OF KEISER CORP. AND ALL PATENT,
PROPRIETARY, DESIGN, USE, SALE, MANUFACTURING, AND
REPRODUCTION RIGHTS THERETO ARE RESERVED BY KEISER
CORP.

DIMENSIONS ARE IN INCHES
DIMENSIONS IN [] ARE MILLIMETERS
BREAK SHARP EDGES .005-.015 (.10-.40)
MACHINED SURFACE FINISH IS
63 MICROINCHES [1.6 MICROMETERS]
DO NOT SCALE DRAWING

DRAWN BY: BJU DATE DRAWN: 4/13/21 CHECKED BY: LC DATE CHECKED: 7/2/21

MATERIAL: RAW MAT: MASS (Kg):

TITLE: A250 LEG CURL - PWR-SA

SHEET 2 OF 3 SCALE: 1:10 DRAWING SIZE: B PART#: 1221XP-SA

REV	ECO	REVISION DESCRIPTION	BY	CKD	DATE
A	3877	RFP	BJU	LC	7/2/21

