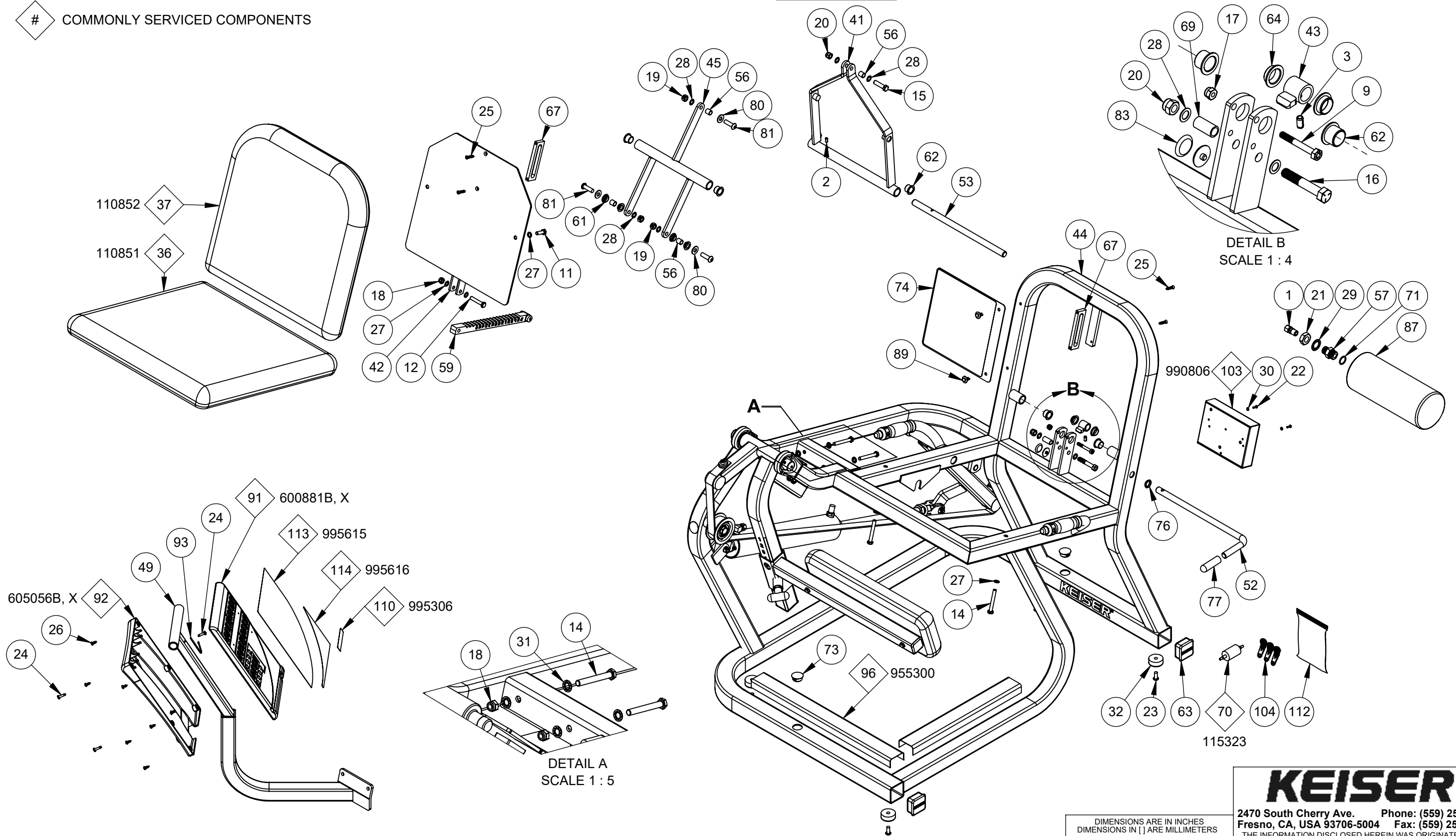


1121P-SA

COMMONLY SERVICED COMPONENTS



NOTE:
 (1) THIS DRAWING COVERS: 1121BP, 1121PP AND 1121SP
 (2) FOLLOW ALL TOP LEVEL PROCEDURES

REV	ECO	REVISION DESCRIPTION	BY	CKD	DATE
A	3877	RFP	BJU	LC	7/6/21

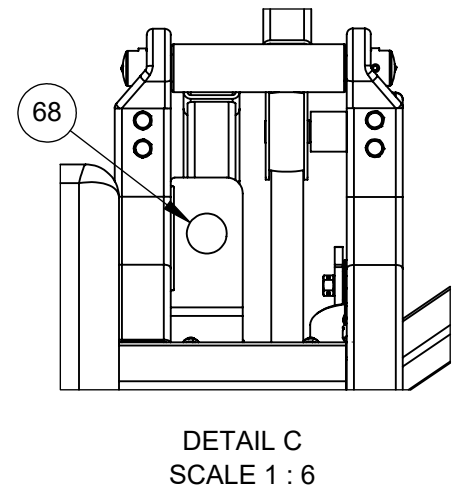
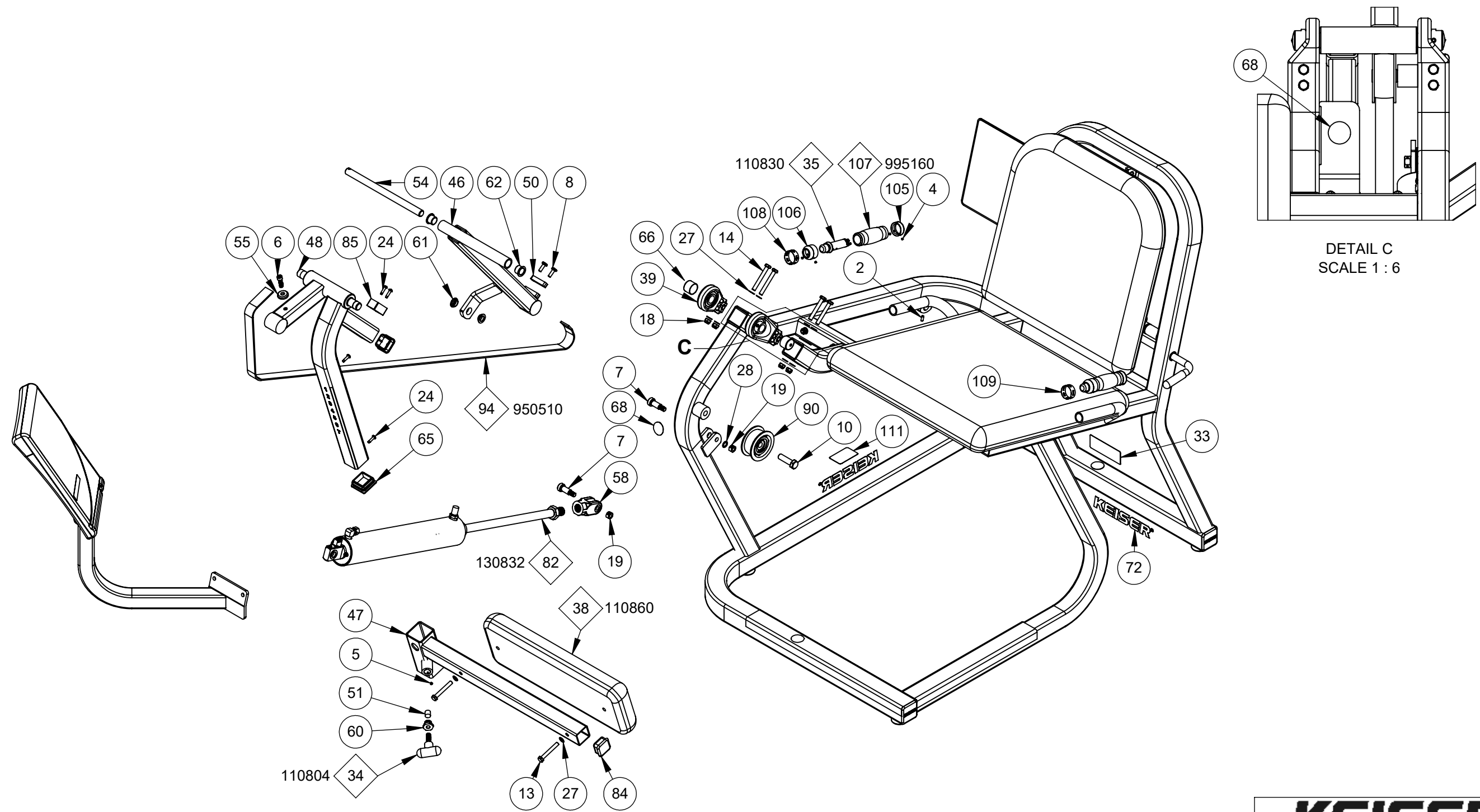
DIMENSIONS ARE IN INCHES
 DIMENSIONS IN [] ARE MILLIMETERS
 BREAK SHARP EDGES .005-.015 [.10-.40]
 MACHINED SURFACE FINISH IS
 63 MICROINCHES [1.6 MICROMETERS]
 DO NOT SCALE DRAWING

KEISER[®]
 2470 South Cherry Ave. Phone: (559) 256-8000
 Fresno, CA, USA 93706-5004 Fax: (559) 256-8100
 THE INFORMATION DISCLOSED HEREIN WAS ORIGINATED BY
 AND IS THE PROPERTY OF KEISER CORP. AND ALL PATENT,
 PROPRIETARY, DESIGN, USE, SALE, MANUFACTURING, AND
 REPRODUCTION RIGHTS THERETO ARE RESERVED BY KEISER
 CORP.

DRAWN BY: BJU	DATE DRAWN: 4/7/21	CHECKED BY: LC	DATE CHECKED: 6/30/21
MATERIAL:		RAW MAT:	
TITLE: A250 LEG EXT - PWR-SA		SCALE: 1:10	DRAWING SIZE: A
SHEET 1 OF 3		PART#: 1121XP-SA	MASS (Kg):

X:\drawings\REVISION11_LEG_EXTENSION PRINTED ON: 7/6/2021 SW2006 V5.1

1121XP-SA



PRINTED ON: 7/6/2021 SW2006 V5.1

X:\drawings\REVISION\11_LEG_EXTENSION

KEISER[®]

2470 South Cherry Ave. Phone: (559) 256-8000
 Fresno, CA, USA 93706-5004 Fax: (559) 256-8100

THE INFORMATION DISCLOSED HEREIN WAS ORIGINATED BY AND IS THE PROPERTY OF KEISER CORP. AND ALL PATENT, PROPRIETARY, DESIGN, USE, SALE, MANUFACTURING, AND REPRODUCTION RIGHTS THERETO ARE RESERVED BY KEISER CORP.

DIMENSIONS ARE IN INCHES
 DIMENSIONS IN [] ARE MILLIMETERS
 BREAK SHARP EDGES .005-.015 [.10-.40]
 MACHINED SURFACE FINISH IS
 63 MICROINCHES [1.6 MICROMETERS]
 DO NOT SCALE DRAWING

DRAWN BY: BJU	DATE DRAWN: 4/7/21	CHECKED BY: LC	DATE CHECKED: 6/30/21
---------------	--------------------	----------------	-----------------------

MATERIAL: _____
 RAW MAT: _____
 MASS (Kg): _____

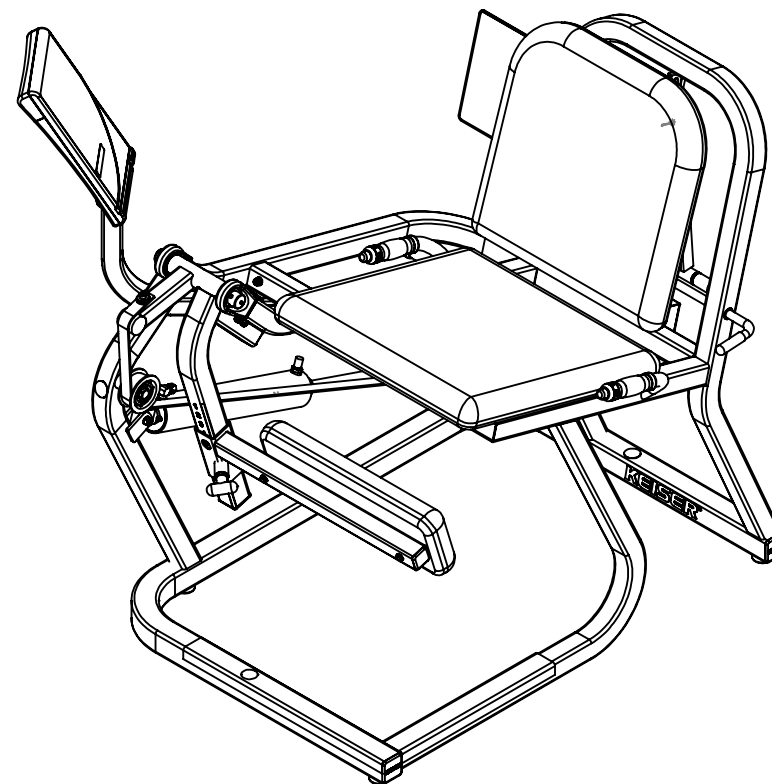
TITLE: **A250 LEG EXT - PWR-SA**

REV	ECO	REVISION DESCRIPTION	BY	CKD	DATE
A	3877	RFP	BJU	LC	7/6/21

SHEET **2** OF **3** SCALE: **1:10** DRAWING SIZE: **A** PART#: **1121XP-SA**

ITEM NO.	QTY.	PART NO.	TITLE	ITEM NO.	QTY.	PART NO.	TITLE
1	1	8079	CON - 3/8C X 1/4M	64	2	115056	BEARING - FLANGE-.625 ID SHORT
2	2	9001	PIN SPRING - 3/16 X 1/2	65	1	115059	CAP - 1-3/4 SQ
3	1	9003	PIN SPRING - 1/4 X 1/2	66	2	115067	CAP - Ø 1 X 3/4
4	8	9014	SCREW - HSSS 8-32 X 1/8 SS	67	2	115072	GUIDE / BEARING
5	1	9015	SET SCREW - HSSS #8-32 X 3/16 BLK	68	2	115301	FINGER WARNING DECAL
6	1	9101	SCREW - SHCS 5/16-18 X 1 ZP	69	1	115314	TUBE - SLEEVE
7	2	9127	SCREW - SHSS 1/2 X 1 ZP	70	1	115323	FILTER - IN LINE
8	2	9151	SCREW - HHCS 1/4-20 X 3/4 ZP	71	1	115333	O-RING - .943 X .737 X .103
9	1	9152	SCREW - HHCS 1/4-20 X 2 ZP	72	2	115372	DECAL - KEISER LOGO-1 1/4" RED
10	1	9155	SCREW - HHCS 1/2-20 X 1 3/4 ZP	73	2	115404	PLUG - HOLE-1 DIA
11	2	9176	SCREW - HHCS 5/16-18 X 1 ZP	74	1	115416	PLACARD - A250 LEG EXT
12	1	9177	SCREW - HHCS 5/16-18 X 1-3/4 ZP	75	7	115423	TIE - 8 IN-PL BLK
13	4	9179	SCREW - HHCS 5/16-18 X 2-1/4 ZP	76	1	115424	SNAP-IN NYLINER
14	6	9180	SCREW - HHCS 5/16-18 X 2-1/2 ZP	77	1	115427	GRIP - 0500 X 2500
15	1	9203	SCREW - HHCS 3/8-16 X 1 1/2 ZP	78	1	115429	PLASTIC TIE - 10" RED
16	1	9206	SCREW - HHCS 3/8-16 X 2 1/4 ZP	79	2	115430	PLASTIC TIE - 3" BLK
17	1	9225	NUT - HELN 1/4-20 ZP	80	3	115450	WASHER - FW .88 X .39 X .07 NP
18	8	9226	NUT - HELN 5/16-18 ZP	81	3	115451	SCREW - SBHCS 3/8-16 X 1-1/4 NP
19	5	9227	NUT - HRLN 3/8-16 ZP	82	1	130832	ASSY - EC-2.5 X 12
20	2	9228	NUT - HELN 3/8-16 ZP	83	2	135055	STEM BUMPER
21	1	9231	NUT - HJN 3/4-10 ZP	84	2	135056	CAP - 1.500 SQ-PL
22	2	9272	SCREW - CRPHTS-TF #6-32 X 1/2 SS	85	1	165421	STOP - EA-URETHANE
23	4	9279	SCREW - SBHTS-TF 5/16-18 X 3/4 ZP	86	1	170891	ASSY - MUFFLER-LONG
24	7	9285	SCREW - CRPHTS 10-24 X 3/4 ZP	87	1	255318	TANK - 140 CU IN
25	4	9288	SCREW - CRPHTS TF 10-24 X 1 ZP	88	1	265310	Y CONNECTOR - 1/8 DIA-PL
26	6	9291	SCREW - CRPHTS 8 X 1/2 ZP	89	2	265404	PLASTIC RIVET
27	16	9353	WASHER - ACFT-5/16 ZP	90	1	265419	BELT PULLEY
28	8	9355	WASHER - FW-ACFT-3/8 SS	91	1	600881X	DISPLAY BOX - 5 WIN
29	1	9364	WASHER - ITLW 3/4 ZP	92	1	605056	DISPLAY BOX - BACK
30	2	9366	WASHER - ITLW #6 ZP	93	1	605428	GROUND CLAMP - DISPLAY
31	4	9389	WASHER - ITLW 5/16 ZP	94	1	950510	KEVLAR BELT 1
32	4	105423	BUMPER - MOLDED GLIDE	95	1	953108	TUBING - 1/4 URETHANE BLK
33	1	105443	DECAL - SERIAL NUMBER	96	1	955300	STRIP - PROTECTOR-4 INCH
34	1	110804	ASSY-KNOB-1.25	97	2	962004	CON - 2MM-2-S
35	2	110830	ASSY - TB VALVE-DIG	98	4	962005	CON - MOD - P-4P-4C
36	1	110851	SEAT BOTTOM CUSHION A250	99	1	962016	CON - MOD-COUPLER-6-6
37	1	110852	SEAT BACK CUSHION A250	100	4	962017	CON-MOD-P-6P-6C
38	1	110860	LEG SUPPORT CUSHION	101	1	966701	WIRE - CABLE-4-26 GA
39	2	110894	BEARING ASSY	102	1	966702	WIRE - CABLE-6-26 GA
40	1	110897	ASSY - QD-MALE	103	1	990806	ASSY - PROCESSOR BOX
41	1	110909	SEAT BACK PIVOT	104	3	990812	KEY - DATA-CS
42	1	110912	SEAT BACK	105	2	995000	COLLAR - GRIP
43	1	110916	PAWL	106	2	995001	CAP - GRIP W HOLE
44	1	110918	MAIN FRM	107	2	995160	GRIP - MOLDED
45	1	110919	SEAT FR PIVOT	108	1	995300	DECAL - TB-PLUS
46	1	110924	LEVER ARM	109	1	995301	DECAL - TB-MINUS
47	1	110925	LEG UPHOL MT	110	1	995306	DECAL - SEAT, LEG-POWER
48	1	110926	EXERCISE ARM	111	1	995324	DECAL - MADE IN THE USA
49	1	110932	WELDT - DISPLAY MT	112	1	995418	BAG - 4 X 6 X 4MIL-ZIP LOCK
50	1	111896	CLAMP W HOLE	113	1	995615	PLACARD - ENG-POWER-BLK
51	1	112162	SPACER	114	1	995616	PLACARD - ENG-KEY-RED
52	1	112181	PAWL HANDLE				
53	1	112182	SEAT BACK PIVOT SFT				
54	1	112183	PIVOT SHAFT SS				
55	1	112242	CLAMP DISC				
56	4	113040	SHOULDER SLEEVE - 1/2 X 1/2				
57	1	115000	BUSHING - TANK				
58	1	115005	CLEVIS - CYLINDER-2-1/2				
59	1	115010	RACK - MACHINED				
60	1	115036	THREADED INSERT - 5/8 X 3/8 SS				
61	6	115051	BEARING - FLANGE-.5 ID				
62	8	115052	BEARING - FLANGE-.625 ID				
63	2	115054	PLUG - 2 IN SQ-KEISER				

1121XP-SA



PRINTED ON: 7/6/2021 SW2006 V5.1

X:\drawings_REVISION\11_LEG_EXTENSION

KEISER®

2470 South Cherry Ave. Phone: (559) 256-8000
 Fresno, CA, USA 93706-5004 Fax: (559) 256-8100

THE INFORMATION DISCLOSED HEREIN WAS ORIGINATED BY AND IS THE PROPERTY OF KEISER CORP. AND ALL PATENT, PROPRIETARY, DESIGN, USE, SALE, MANUFACTURING, AND REPRODUCTION RIGHTS THERETO ARE RESERVED BY KEISER CORP.

DIMENSIONS ARE IN INCHES
 DIMENSIONS IN [] ARE MILLIMETERS
 BREAK SHARP EDGES .005-.015 [.10-.40]
 MACHINED SURFACE FINISH IS
 63 MICROINCHES [1.6 MICROMETERS]
 DO NOT SCALE DRAWING

DRAWN BY: BJU	DATE DRAWN: 4/7/21	CHECKED BY: LC	DATE CHECKED: 6/30/21
---------------	--------------------	----------------	-----------------------

MATERIAL: _____
 RAW MAT: _____
 MASS (Kg): _____

TITLE: **A250 LEG EXT - PWR-SA**
 SHEET **3** OF **3** SCALE: **1:14** DRAWING SIZE: **A** PART#: **1121XP-SA**

REV	ECO	REVISION DESCRIPTION	BY	CKD	DATE
A	3877	RFP	BJU	LC	7/6/21