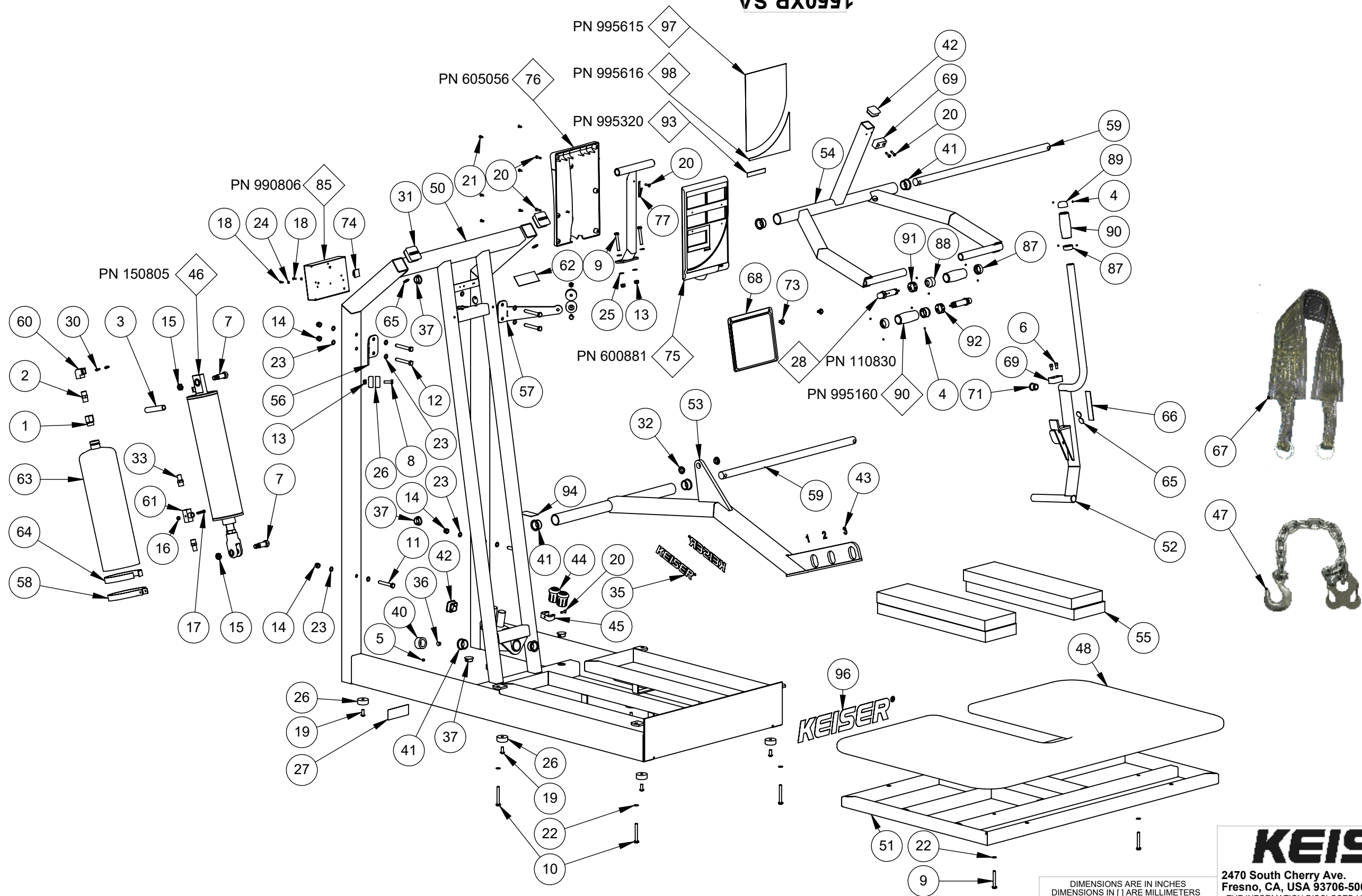


1550XP-SA



◆ COMMONLY SERVICED COMPONENTS

NOTE:  
1550XP-SA COVERS THE FOLLOWING MODELS: 1550BP, 1550PP AND 1550XP

REV	ECO	RFP	REVISION DESCRIPTION	BY	CKD	DATE
A	3809	RFP		BJU	LC	10/26/20

DIMENSIONS ARE IN INCHES  
DIMENSIONS IN [ ] ARE MILLIMETERS  
BREAK SHARP EDGES .005-.015 [.10-.40]  
MACHINED SURFACE FINISH IS  
63 MICROINCHES [1.6 MICROMETERS]  
DO NOT SCALE DRAWING

DRAWN BY: BJU DATE DRAWN: 10/23/20 CHECKED BY: LC DATE CHECKED: 10/26/20

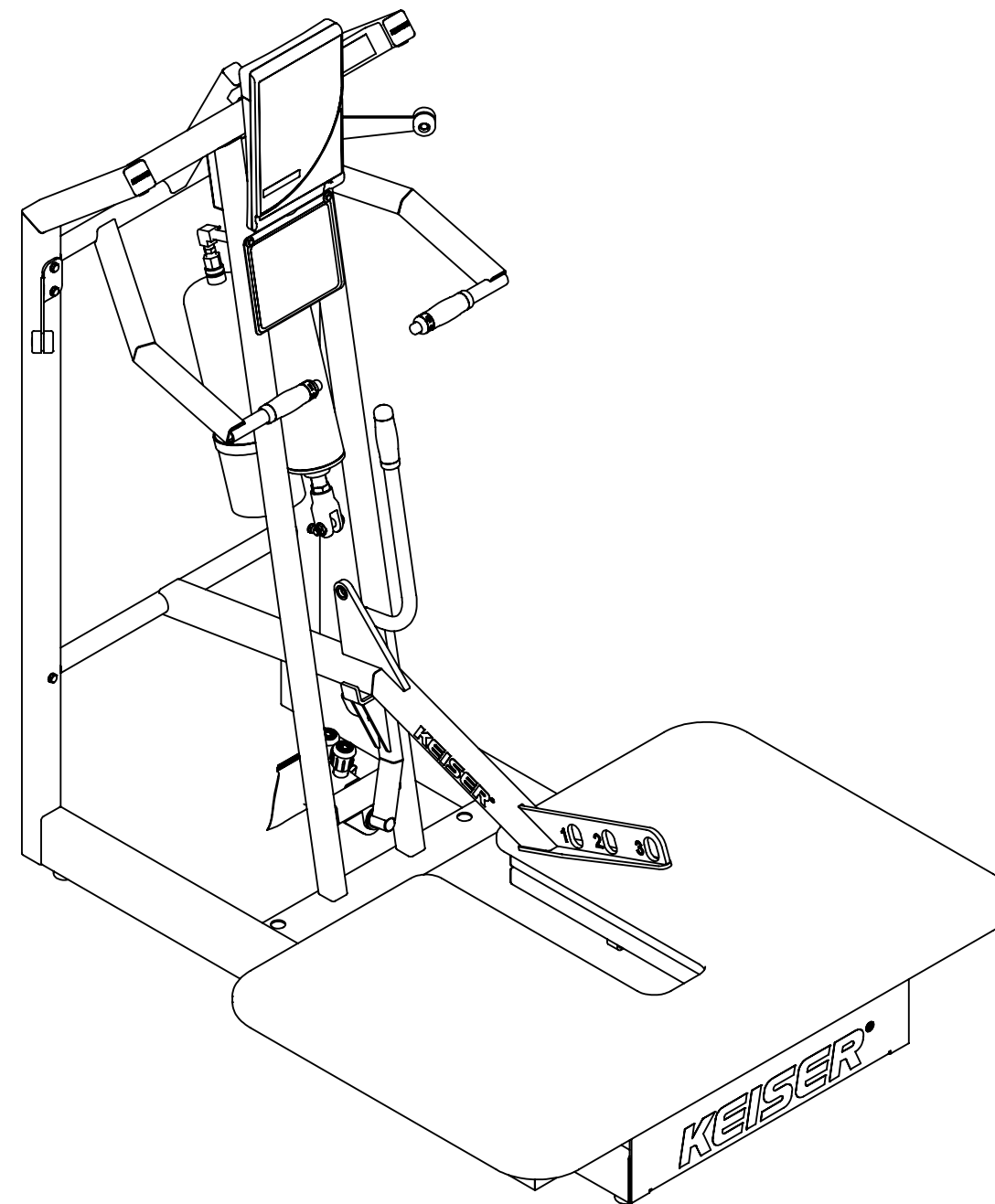
MATERIAL: RAW MAT:

TITLE: BELT SQUAT - PWR-SA  
SHEET 1 OF 2 SCALE: 1:14 DRAWING SIZE: B PART#: 1550XP-SA

**KEISER®**  
2470 South Cherry Ave. Phone: (559) 256-8000  
Fresno, CA, USA 93706-5004 Fax: (559) 256-8100  
THE INFORMATION DISCLOSED HEREIN WAS ORIGINATED BY AND IS THE PROPERTY OF KEISER CORP. AND ALL PATENT, PROPRIETARY, DESIGN, USE, SALE, MANUFACTURING, AND REPRODUCTION RIGHTS THERETO ARE RESERVED BY KEISER CORP.

ITEM NO.	QTY.	PART NO.	TITLE	ITEM NO.	QTY.	PART NO.	TITLE
1	1	8301	BUSH - SPT-7/8 X 3/8	64	1	155407	TAPE - FOAM-3/4 W
2	1	8352	NIPPLE - HN-3/8	65	4	155409	BUMPER - 13/16 DIA-CLEAR
3	1	8477	NIPPLE - LN-3/8 X 3-1/2	66	1	155410	BUMP STRIP
4	12	9014	SCREW - HSSS 8-32 X 1/8 SS	67	1	155411	BELT - BELT SQUAT-BLK-REG
5	1	9026	SCREW - HSSS 5/16-18 X 1/4 ZP	68	1	155448	PLACARD - BELT SQUAT-PRNTD
6	2	9098	SCREW - SHCS 1/4-20 X 1/2 ZP	69	2	165421	STOP - EA-URETHANE
7	2	9128	SCREW - SHSS 5/8 X 1-1/4 ZP	70	1	170891	ASSY - MUFFLER-LONG
8	2	9176	SCREW - HHCS 5/16-18 X 1 ZP	71	1	255051	CAP - Ø1-PL
9	4	9179	SCREW - HHCS 5/16-18 X 2-1/4 ZP	72	1	265310	Y CONNECTOR - 1/8 DIA-PL
10	4	9180	SCREW - HHCS 5/16-18 X 2-1/2 ZP	73	2	265404	PLASTIC RIVET
11	2	9207	SCREW - HHCS 3/8-16 X 2-1/2 ZP	74	1	545055	ANCHOR - CABLE PL
12	4	9208	SCREW - HHCS 3/8-16 X 2-3/4 ZP	75	1	600881X	DISPLAY BOX - 5 WIN
13	4	9226	NUT - HELN 5/16-18 ZP	76	1	605056	DISPLAY BOX - BACK
14	6	9228	NUT - HELN 3/8-16 ZP	77	1	605428	GROUND CLAMP - DISPLAY
15	2	9230	NUT - HELN 1/2-13 ZP	78	1	953108	TUBING - 1/4 URETHANE BLK
16	1	9246	NUT - HELN 10-24 ZP	79	2	962004	CON - 2MM-2-S
17	1	9254	SCREW - HHMS #10-24 X 1-1/4 ZP	80	4	962005	CON - MOD - P-4P-4C
18	2	9272	SCREW - CRPHTS-TF #6-32 X 1/2 SS	81	1	962016	CON - MOD-COUPLER-6-6
19	6	9279	SCREW - SBHTS-TF 5/16-18 X 3/4 ZP	82	4	962017	CON-MOD-P-6P-6C
20	6	9285	SCREW - CRPHTS 10-24 X 3/4 ZP	83	1	966701	WIRE - CABLE-4-26 GA
21	6	9291	SCREW - CRPHTS 8 X 1/2 ZP	84	1	966702	WIRE - CABLE-6-26 GA
22	6	9353	WASHER - ACFT-5/16 ZP	85	1	990806	ASSY - PROCESSOR BOX
23	12	9355	WASHER - FW-ACFT-3/8 SS	86	3	990812	KEY - DATA-CS
24	2	9366	WASHER - ITLW #6 ZP	87	3	995000	COLLAR - GRIP
25	4	9389	WASHER - ITLW 5/16 ZP	88	2	995001	CAP - GRIP W HOLE
26	10	105423	BUMPER - MOLDED GLIDE	89	1	995006	CAP - GRIP-WO HOLE
27	1	105443	DECAL - SERIAL NUMBER	90	3	995160	GRIP - MOLDED
28	2	110830	ASSY - TB VALVE-DIG	91	1	995300	DECAL - TB-PLUS
29	1	110897	ASSY - QD-MALE	92	1	995301	DECAL - TB-MINUS
30	2	115019	BARBED CONN - 1/4 X 10-32	93	1	995320	DECAL - ARM-POWER
31	2	115054	PLUG - 2 IN SQ-KEISER	94	1	995324	DECAL - MADE IN THE USA
32	2	115056	BEARING - FLANGE-.625 ID SHORT	95	1	995418	BAG - 4 X 6 X 4MIL-ZIP LOCK
33	2	115318	MUFFLER - EXHAUST-3/8	96	1	995603	DECAL - KEISER LOGO-3" RED
34	1	115323	FILTER - IN LINE	97	1	995615	PLACARD - ENG-POWER-BLK
35	2	115372	DECAL - KEISER LOGO-1 1/4" RED	98	1	995616	PLACARD - ENG-KEY-RED
36	1	115402	PLUG - HOLE-3/8 DIA				
37	4	115404	PLUG - HOLE-1 DIA				
38	13	115423	TIE - 8 IN-PL BLK				
39	1	115429	PLASTIC TIE - 10" RED				
40	1	135049	CAP - Ø1 ID				
41	6	135050	BEARING - FLANGE-1" ID				
42	2	135056	CAP - 1.500 SQ-PL				
43	1	135306	LARGE SEAT STRIP DECAL 1 - 10				
44	2	135422	RUBBER CRUTCH TIP - #20 BLK				
45	1	135426	FILTER CLIP				
46	1	150805	ASSY - EC-4 X 12				
47	1	150806	HOOK CHAIN LATCH				
48	1	150867	FOOT PAD - BELT SQUAT				
49	1	150915	WELDT - DISPLAY MT				
50	1	150916	MAIN FRM - BELT SQUAT				
51	1	150917	SUPPORT FRM - BELT SQUAT				
52	1	150918	ARM REST - BELT SQUAT				
53	1	150919	EX ARM - BELT SQUAT				
54	1	150920	HANDLE - STABILIZER				
55	4	151170	EXTRA WEIGHT 1.5X6X21				
56	1	151823	PLATE - HANGER-BELT-L				
57	1	151824	PLATE - HANGER-BELT-R				
58	1	152050	STRAP - TANK				
59	2	152244	SHAFT - PIVOT				
60	1	155003	ELBOW - 3/8 F-TAPPED				
61	1	155008	TEE - MUFFLER				
62	1	155300	DECAL - CAUTION BK INJURIES				
63	1	155369	TANK - 300 CU IN-PAINTED				

1550XP-SA



X:\drawings\REVISION\15\_SQUAT\_1 PRINTED ON: 10/26/2020SW2006 V5.1

**KEISER**<sup>®</sup>

2470 South Cherry Ave. Phone: (559) 256-8000  
 Fresno, CA, USA 93706-5004 Fax: (559) 256-8100

THE INFORMATION DISCLOSED HEREIN WAS ORIGINATED BY AND IS THE PROPERTY OF KEISER CORP. AND ALL PATENT, PROPRIETARY, DESIGN, USE, SALE, MANUFACTURING, AND REPRODUCTION RIGHTS THERETO ARE RESERVED BY KEISER CORP.

DIMENSIONS ARE IN INCHES  
 DIMENSIONS IN [ ] ARE MILLIMETERS  
 BREAK SHARP EDGES .005-.015 [ .10-.40]  
 MACHINED SURFACE FINISH IS  
 63 MICROINCHES [1.6 MICROMETERS]  
 DO NOT SCALE DRAWING

DRAWN BY: BJU DATE DRAWN: 10/23/20 CHECKED BY: LC DATE CHECKED: 10/26/20

MATERIAL:  
 RAW MAT:

REV	ECO	RFP	BY	CKD	DATE	TITLE:
A	3809	RFP	BJU	LC	10/26/20	BELT SQUAT - PWR-SA
2						SHEET 2 OF 2
						SCALE: 1:12
						DRAWING SIZE: B
						PART#: 1550XP-SA