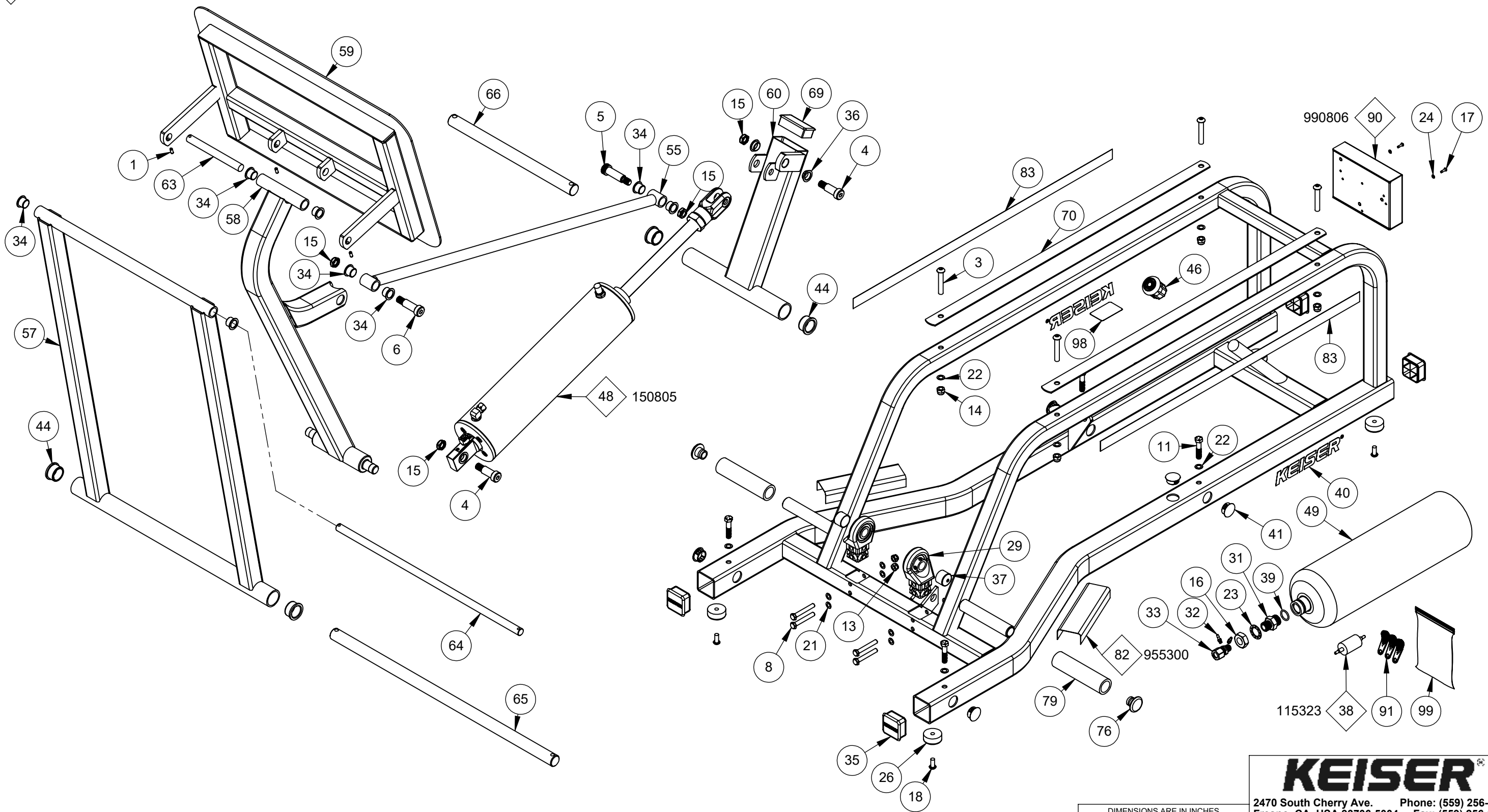


2521XP-SA

COMMONLY SERVICED COMPONENTS



NOTE:
 (1) THIS DRAWING COVERS: 2521BP, 2521PP, 2521SP
 (2) FOLLOW ALL TOP LEVEL PROCEDURES

DIMENSIONS ARE IN INCHES
 DIMENSIONS IN [] ARE MILLIMETERS
 BREAK SHARP EDGES .005-.015 [.10-.40]
 MACHINED SURFACE FINISH IS
 63 MICROINCHES [1.6 MICROMETERS]
 DO NOT SCALE DRAWING

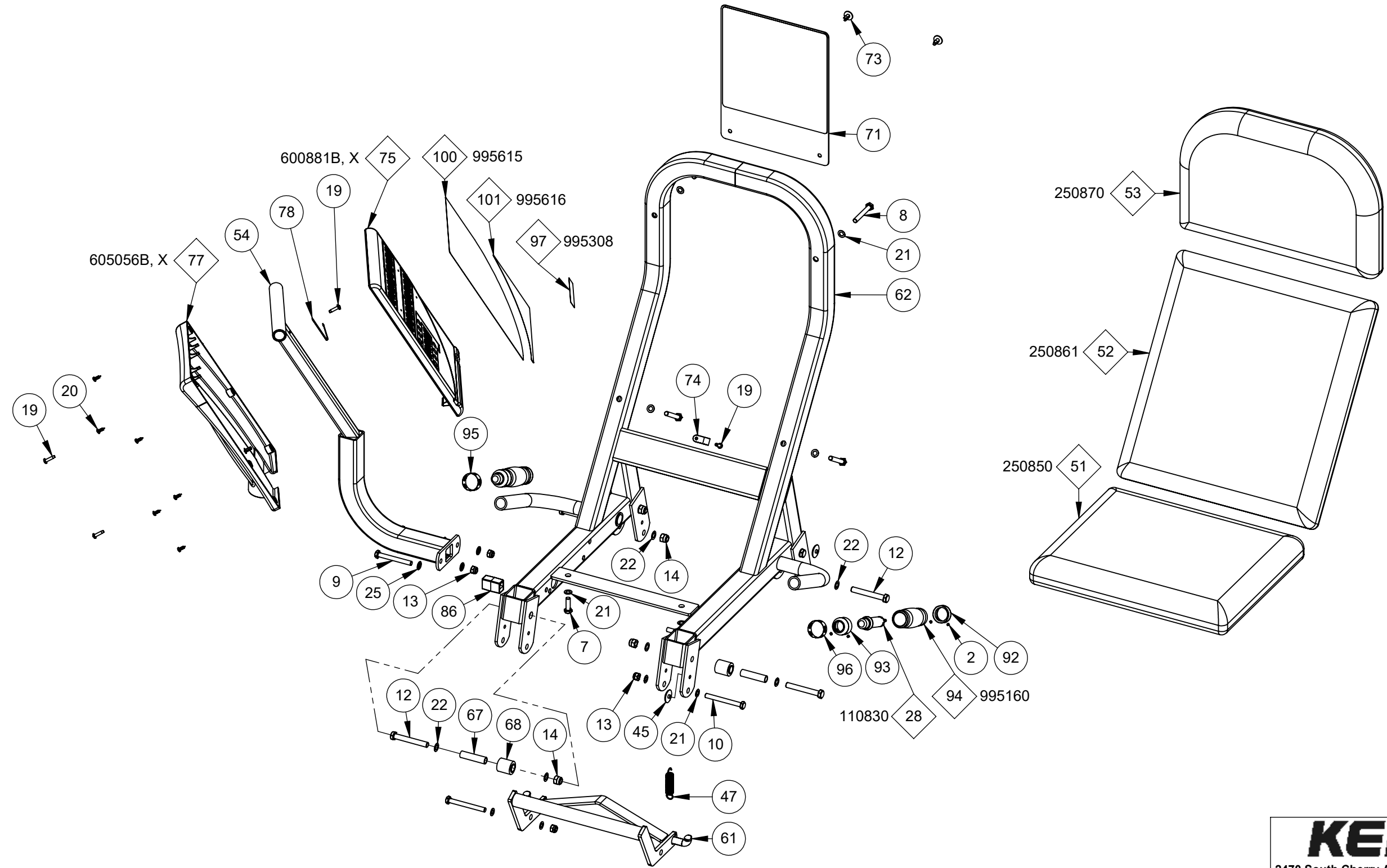
KEISER[®]
 2470 South Cherry Ave. Phone: (559) 256-8000
 Fresno, CA, USA 93706-5004 Fax: (559) 256-8100
 THE INFORMATION DISCLOSED HEREIN WAS ORIGINATED BY
 AND IS THE PROPERTY OF KEISER CORP. AND ALL PATENT,
 PROPRIETARY, DESIGN, USE, SALE, MANUFACTURING, AND
 REPRODUCTION RIGHTS THERE TO ARE RESERVED BY KEISER
 CORP.

DRAWN BY: BJU	DATE DRAWN: 8/3/21	CHECKED BY: LC	DATE CHECKED: 8/30/21
---------------	--------------------	----------------	-----------------------

MATERIAL: _____ MASS (Kg): _____
 RAW MAT: _____

REV	ECO	REVISION DESCRIPTION	BY	CKD	DATE	TITLE	SHEET	SCALE	DRAWING SIZE	PART#
A	3835	REFERENCE ECO MEMO FOR DETAILS	BJU	LC	8/30/21	A250 LEG PRESS - PWR-SA	1 OF 3	1:8	B	2521XP-SA

2521XP-SA



DIMENSIONS ARE IN INCHES
 DIMENSIONS IN [] ARE MILLIMETERS
 BREAK SHARP EDGES .005-.015 [.10-.40]
 MACHINED SURFACE FINISH IS
 63 MICROINCHES [1.6 MICROMETERS]
 DO NOT SCALE DRAWING

KEISER[®]
 2470 South Cherry Ave. Phone: (559) 256-8000
 Fresno, CA, USA 93706-5004 Fax: (559) 256-8100
 THE INFORMATION DISCLOSED HEREIN WAS ORIGINATED BY
 AND IS THE PROPERTY OF KEISER CORP. AND ALL PATENT,
 PROPRIETARY, DESIGN, USE, SALE, MANUFACTURING, AND
 REPRODUCTION RIGHTS THERETO ARE RESERVED BY KEISER
 CORP.

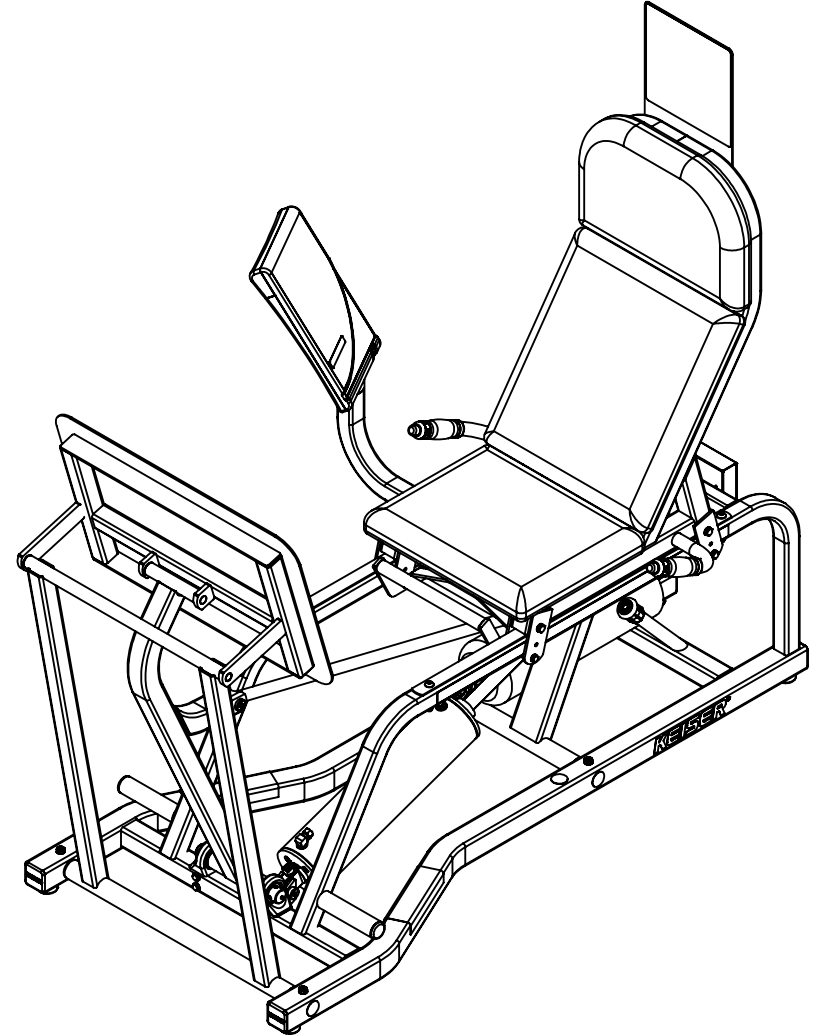
A	3835	REFERENCE ECO MEMO FOR DETAILS	BJU	LC	8/30/21	
REV	ECO	REVISION DESCRIPTION	BY	CKD	DATE	

DRAWN BY:	BJU	DATE DRAWN:	8/3/21	CHECKED BY:	LC	DATE CHECKED:	8/30/21
MATERIAL:							
RAW MAT:						MASS (Kg):	
SHEET 2 OF 3		SCALE:	1:8	DRAWING SIZE:	B	PART#: 2521XP-SA	
TITLE: A250 LEG PRESS - PWR-SA							

X:\drawings\REVISION\25_LEG_PRESS\ PRINTED ON: 8/30/2021 SW2006 V5.1

ITEM NO.	QTY.	PART NO.	TITLE	ITEM NO.	QTY.	PART NO.	TITLE
1	3	9001	PIN SPRING - 3/16 X 1/2	64	1	252182	SHAFT - 0.625
2	8	9014	SCREW - HSSS 8-32 X 1/8 SS	65	1	252246	PIVOT SHAFT 1 X 26.53
3	4	9112	SCREW - SBHCS-0375 16 X 2250 ZP	66	1	252248	PIVOT SHAFT - 1 X 14.13
4	2	9128	SCREW - SHSS 5/8 X 1-1/4 ZP	67	4	253040	TUBE - ROLLER
5	1	9129	SCREW - SHSS 5/8 X 1 3/4 BLK	68	4	255055	SEAT ROLLER - SHORT
6	1	9131	SCREW - SHSS 5/8 X 1-1/2 ZP	69	1	255059	PLASTC CAP RECT. 1.50 X 3
7	2	9176	SCREW - HHCS 5/16-18 X 1 ZP	70	2	255404	TOP SEAT STRIP
8	8	9179	SCREW - HHCS 5/16-18 X 2-1/4 ZP	71	1	255416	PLACARD - A250 LEG PRESS
9	2	9181	SCREW - HHCS 5/16-18 X 2-3/4 ZP	72	1	265310	Y CONNECTOR - 1/8 DIA-PL
10	2	9184	SCREW - HHCS 0313-18 X 3000 ZP	73	2	265404	PLASTIC RIVET
11	4	9204	SCREW - HHCS 0375-16 X 1750 ZP	74	1	275422	CLAMP - CABLE-0500
12	6	9208	SCREW - HHCS 3/8-16 X 2-3/4 ZP	75	1	600881	DISPLAY BOX 5 - WIN
13	8	9226	NUT - HELN 5/16-18 ZP	76	2	605051	PLUG - GRIP
14	10	9228	NUT - HELN 3/8-16 ZP	77	1	605056	DISPLAY BOX - BACK
15	4	9230	NUT - HELN 1/2-13 ZP	78	1	605428	GROUND CLAMP - DISPLAY
16	1	9231	NUT - HJN 3/4-10 ZP	79	2	935113	GRIP - HANDLE
17	2	9272	SCREW - CRPHTS-TF #6-32 X 1/2 SS	80	1	953102	TUBING - .500 OD X .062 W-PE BLK
18	4	9279	SCREW - SBHTS-TF 5/16-18 X 3/4 ZP	81	1	953108	TUBING - 1/4 URETHANE BLK
19	4	9285	SCREW - CRPHTS 10-24 X 3/4 ZP	82	1	955300	STRIP - PROTECTOR-4 INCH
20	6	9291	SCREW - CRPHTS 8 X 1/2 ZP	83	2	955306	TAPE - 6.7 MIL UHMW-1" TRANSPARENT
21	18	9353	WASHER - ACFT-5/16 ZP	84	2	962004	CON - 2MM-2-S
22	20	9355	WASHER - FW-ACFT-3/8 SS	85	4	962005	CON - MOD - P-4P-4C
23	1	9364	WASHER - ITLW 3/4 ZP	86	1	962016	CON - MOD-COUPLER-6-6
24	2	9366	WASHER - ITLW #6 ZP	87	4	962017	CON-MOD-P-6P-6C
25	4	9389	WASHER - ITLW 5/16 ZP	88	1	966701	WIRE - CABLE-4-26 GA
26	4	105423	BUMPER - MOLDED GLIDE	89	1	966702	WIRE - CABLE-6-26GA
27	1	105443	DECAL - SERIAL NUMBER	90	1	990806	ASSY - PROCESSOR BOX
28	2	110830	ASSY - TB VALVE-DIG	91	3	990812	KEY - DATA-CS
29	2	110894	BEARING ASSY	92	2	995000	COLLAR - GRIP
30	1	110897	ASSY - QD-MALE	93	2	995001	CAP - GRIP W HOLE
31	1	115000	BUSHING - TANK	94	2	995160	GRIP - MOLDED
32	2	115019	BARBED CONN - 1/4 X 10-32	95	1	995300	DECAL - TB-PLUS
33	1	115042	1/2 TAPPED STRAIGHT	96	1	995301	DECAL - TB-MINUS
34	8	115052	BEARING - FLANGE-.625 ID	97	1	995308	DECAL - SEAT-POWER
35	4	115054	PLUG - 2 IN SQ-KEISER	98	1	995324	DECAL - MADE IN THE USA
36	2	115056	BEARING - FLANGE-.625 ID SHORT	99	1	995418	BAG - 4 X 6 X 4MIL-ZIP LOCK
37	2	115067	CAP - Ø 1 X 3/4	100	1	995615	PLACARD - ENG-POWER-BLK
38	1	115323	FILTER - IN LINE	101	1	995616	PLACARD - ENG-KEY-RED
39	1	115333	O-RING - .943 X .737 X .103				
40	2	115372	DECAL - KEISER LOGO-1 1/4" RED				
41	6	115404	PLUG - HOLE-1 DIA				
42	14	115423	TIE - 8 IN-PL BLK				
43	1	115429	PLASTIC TIE - 10" RED				
44	4	135050	BEARING - FLANGE-1" ID				
45	4	135055	STEM BUMPER				
46	1	135422	RUBBER CRUTCH TIP #20 BLK				
47	1	135424	SPRING - PEDAL				
48	1	150805	ASSY - EC-4 X12				
49	1	155369	TANK - 300 CU IN-PAINTED				
50	1	170891	ASSY - MUFFLER-LONG				
51	1	250850	SEAT CUSHION				
52	1	250861	BACK CUSHION				
53	1	250870	HEAD CUSHION				
54	1	250903	WELDT - DISPLAY MT				
55	1	250913	DRAG LINK				
56	1	250922	MAIN FRM				
57	1	250930	FOLLOWER ARM				
58	1	250931	EX ARM				
59	1	250932	FOOT PAD				
60	1	250934	LEVER ARM				
61	1	250937	SEAT LOCK				
62	1	250939	WELDT - SEAT FRM				
63	1	252181	SHAFT - 0.625 X 6.000				

2521XP-SA



KEISER®
 2470 South Cherry Ave. Phone: (559) 256-8000
 Fresno, CA, USA 93706-5004 Fax: (559) 256-8100

THE INFORMATION DISCLOSED HEREIN WAS ORIGINATED BY AND IS THE PROPERTY OF KEISER CORP. AND ALL PATENT, PROPRIETARY, DESIGN, USE, SALE, MANUFACTURING, AND REPRODUCTION RIGHTS THERETO ARE RESERVED BY KEISER CORP.

DIMENSIONS ARE IN INCHES
 DIMENSIONS IN [] ARE MILLIMETERS
 BREAK SHARP EDGES .005-.015 [.10-.40]
 MACHINED SURFACE FINISH IS
 63 MICROINCHES [1.6 MICROMETERS]
 DO NOT SCALE DRAWING

DRAWN BY: **BJU** DATE DRAWN: **8/3/21** CHECKED BY: **LC** DATE CHECKED: **8/30/21**

MATERIAL: _____
 RAW MAT: _____ MASS (Kg): _____

REV	ECO	REVISION DESCRIPTION	BY	CKD	DATE
A	3835	REFERENCE ECO MEMO FOR DETAILS	BJU	LC	8/30/21

TITLE: **A250 LEG PRESS - PWR-SA**
 SHEET **3** OF **3** SCALE: **1:14** DRAWING SIZE: **B** PART#: **2521XP-SA**

PRINTED ON: 8/30/2021 SW2006 V5.1

X:\drawings\REVISION\25_LEG_PRESS\