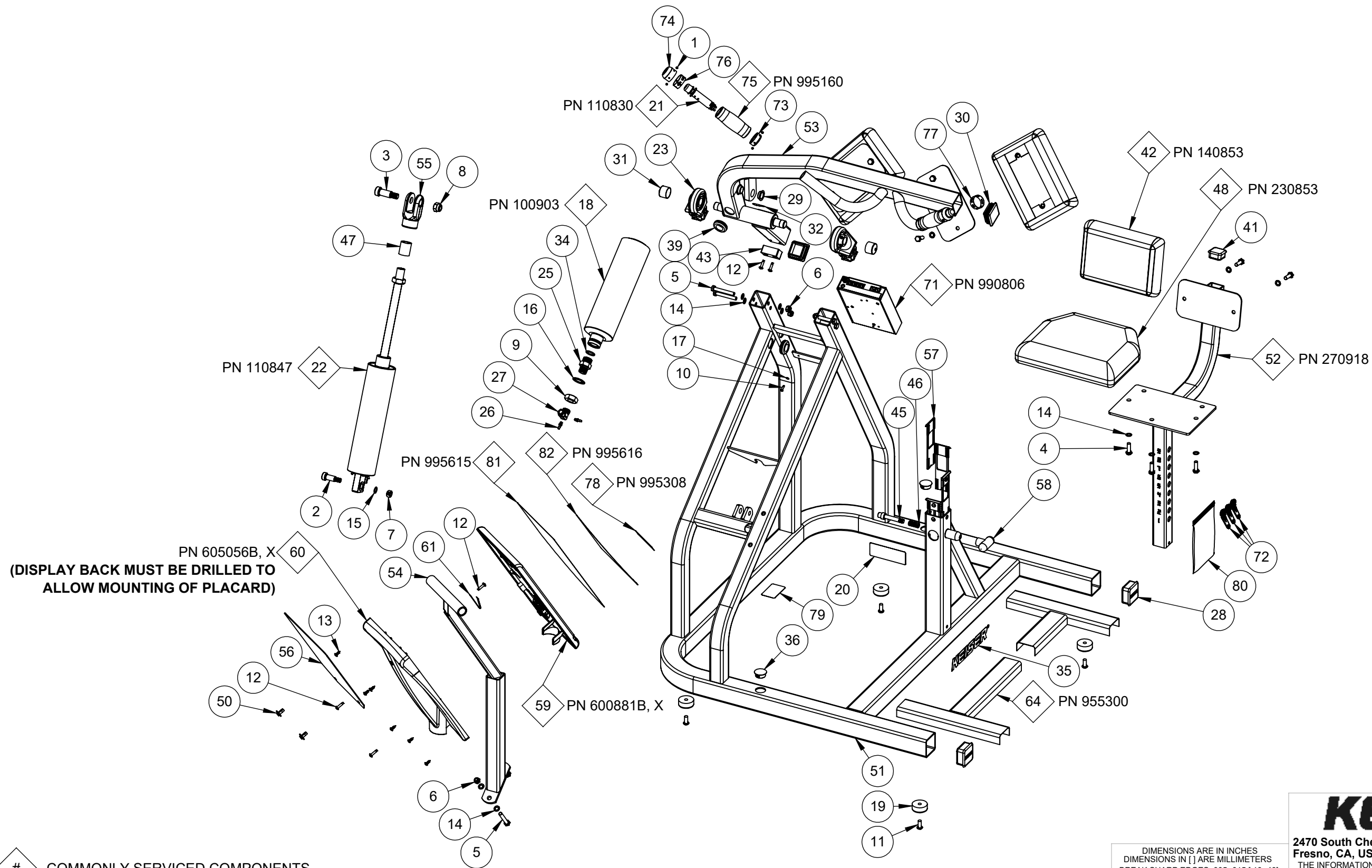


2721XP-SA



# COMMONLY SERVICED COMPONENTS

NOTE:

2721XP-SA COVERS THE FOLLOWING MODELS: 2721BP, 2721PP AND 2721SP

A			3808	RFP	BJU	LC	1/22/21	TITLE: <b>A-250 ABDOMINAL - SA</b>			
REV	ECO			REVISION DESCRIPTION	BY	CKD	DATE	SHEET <b>1</b> OF <b>2</b>	SCALE: <b>1:10</b>	DRAWING SIZE: <b>B</b>	PART#: <b>2721XP-SA</b>

DIMENSIONS ARE IN INCHES  
DIMENSIONS IN [ ] ARE MILLIMETERS  
BREAK SHARP EDGES .005-.015 [.10-.40]  
MACHINED SURFACE FINISH IS  
63 MICROINCHES [1.6 MICROMETERS]  
DO NOT SCALE DRAWING

**KEISER**<sup>®</sup>  
2470 South Cherry Ave. Phone: (559) 256-8000  
Fresno, CA, USA 93706-5004 Fax: (559) 256-8100  
THE INFORMATION DISCLOSED HEREIN WAS ORIGINATED BY  
AND IS THE PROPERTY OF KEISER CORP. AND ALL PATENT,  
PROPRIETARY, DESIGN, USE, SALE, MANUFACTURING, AND  
REPRODUCTION RIGHTS THERETO ARE RESERVED BY KEISER  
CORP.

DRAWN BY: BJU DATE DRAWN: 10/13/20 CHECKED BY: LC DATE CHECKED: 1/22/21

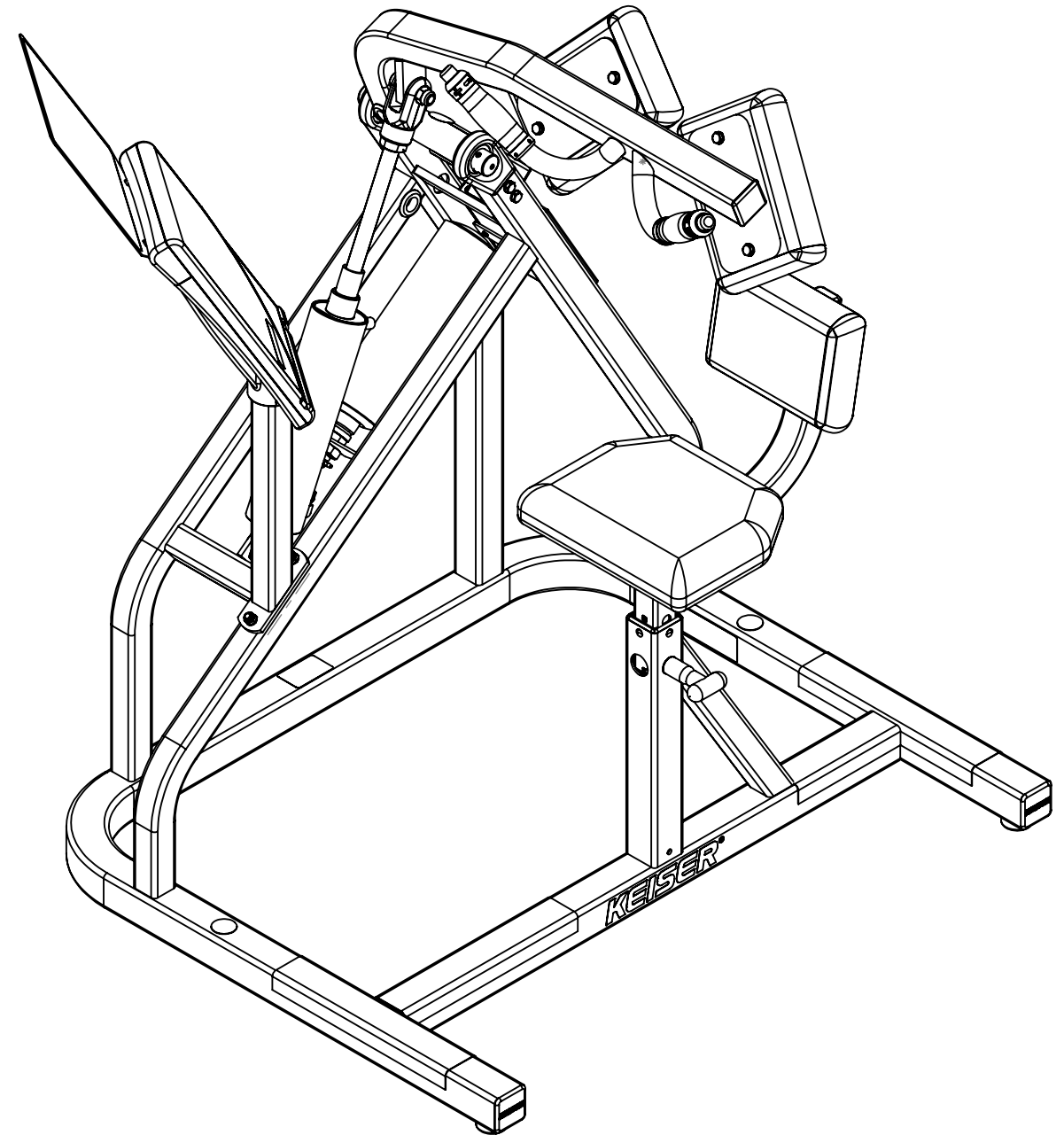
MATERIAL: RAW MAT:

PRINTED ON: 1/25/2021 SW2006 V5.1

X:\drawings\REVISION\27\_ABDOMINAL

ITEM NO.	QTY.	PART NO.	TITLE	ITEM NO.	QTY.	PART NO.	TITLE
1	8	9014	SCREW - HSS 8-32 X 1/8 SS	64	1	955300	STRIP - PROTECTOR-4 INCH
2	1	9127	SCREW - SHSS 1/2 X 1 ZP	65	2	962004	CON - 2MM-2-S
3	1	9128	SCREW - SHSS 5/8 X 1-1/4 ZP	66	4	962005	CON - MOD - P-4P-4C
4	9	9176	SCREW - HHCS 5/16-18 X 1 ZP	67	1	962016	CON - MOD-COUPLER-6-6
5	6	9179	SCREW - HHCS 5/16-18 X 2-1/4 ZP	68	4	962017	CON-MOD-P-6P-6C
6	6	9226	NUT - HELN 5/16-18 ZP	69	1	966701	WIRE - CABLE-4-26 GA
7	1	9227	NUT - HRLN 3/8-16 ZP	70	1	966702	WIRE - CABLE-6-26 GA
8	1	9230	NUT - HELN 1/2-13 ZP	71	1	990806	ASSY - PROCESSOR BOX
9	1	9231	NUT - HJN 3/4-10 ZP	72	3	990812	KEY - DATA-CS
10	2	9272	SCREW - CRPHTS-TF #6-32 X 1/2 SS	73	2	995000	COLLAR - GRIP
11	4	9279	SCREW - SBHTS-TF 5/16-18 X 3/4 ZP	74	2	995001	CAP - GRIP W HOLE
12	5	9285	SCREW - CRPHTS 10-24 X 3/4 ZP	75	2	995160	GRIP - MOLDED
13	6	9291	SCREW - CRPHTS 8 X 1/2 ZP	76	1	995300	DECAL - TB-PLUS
14	21	9353	WASHER - ACFT-5/16 ZP	77	1	995301	DECAL - TB-MINUS
15	1	9355	WASHER - FW-ACFT-3/8 SS	78	1	995308	DECAL - SEAT-POWER
16	1	9364	WASHER - ITLW 3/4 ZP	79	1	995324	DECAL - MADE IN THE USA
17	2	9366	WASHER - ITLW #6 ZP	80	1	995418	BAG - 4 X 6 X 4MIL-ZIP LOCK
18	1	100903	TANK - 72 IN3	81	1	995615	PLACARD - ENG-POWER-BLK
19	4	105423	BUMPER - MOLDED GLIDE	82	1	995616	PLACARD - ENG-KEY-RED
20	1	105443	DECAL - SERIAL NUMBER				
21	2	110830	ASSY - TB VALVE-DIG				
22	1	110847	ASSY - EC-2.5 X 7				
23	2	110894	BEARING ASSY				
24	1	110897	ASSY - QD-MALE				
25	1	115000	BUSHING - TANK				
26	2	115019	BARBED CONN - 1/4 X 10-32				
27	1	115040	3/8 TAPPED ELBOW				
28	2	115054	PLUG - 2 IN SQ-KEISER				
29	2	115056	BEARING - FLANGE-.625 ID SHORT				
30	2	115059	CAP - 1-3/4 SQ				
31	2	115067	CAP - Ø 1 X 3/4				
32	1	115301	WARNING DECAL				
33	1	115323	FILTER - IN LINE				
34	1	115333	O-RING - .943 X .737 X .103				
35	2	115372	DECAL - KEISER LOGO-1 1/4" RED				
36	3	115404	PLUG - HOLE-1 DIA				
37	8	115423	TIE - 8 IN-PL BLK				
38	1	115429	PLASTIC TIE - 10" RED				
39	2	115463	GROMMET - 075106013				
40	1	120803	FLOW RESTRICTOR				
41	1	135056	CAP - 1.500 SQ-PL				
42	3	140853	ARM CUSHION				
43	1	165421	STOP - EA-URETHANE				
44	1	170891	ASSY - MUFFLER-LONG				
45	1	172180	PLUNGER				
46	1	175500	SPRING - PLUNGER				
47	1	215052	CYLINDER STOP				
48	1	230853	SEAT CUSHION				
49	1	265310	Y CONNECTOR - 1/8 DIA-PL				
50	2	265404	PLASTIC RIVET				
51	1	270913	MAIN FRAME - ABDOMINAL				
52	1	270918	SEAT BACK WELDT BLK				
53	1	270919	EX ARM				
54	1	270932	WELDT - DISPLAY MT-CS				
55	1	275003	CLEVIS				
56	1	275416	PLACARD-A250-PRNTD				
57	4	505068	BUSHING - 4 PIECE				
58	1	555059	KNOB - T-BLACK				
59	1	600881X	DISPLAY BOX - 5 WIN				
60	1	605056	DISPLAY BOX - BACK				
61	1	605428	GROUND CLAMP - DISPLAY				
62	1	953101	TUBING - .375 OD X .062 W-PE BLK				
63	1	953108	TUBING - 1/4 URETHANE BLK				

2721XP-SA



PRINTED ON: 1/25/2021 SW2006 V5.1

X:\drawings\REVISION\27\_ABDOMINAL

**KEISER**<sup>®</sup>

2470 South Cherry Ave. Phone: (559) 256-8000  
 Fresno, CA, USA 93706-5004 Fax: (559) 256-8100

THE INFORMATION DISCLOSED HEREIN WAS ORIGINATED BY AND IS THE PROPERTY OF KEISER CORP. AND ALL PATENT, PROPRIETARY, DESIGN, USE, SALE, MANUFACTURING, AND REPRODUCTION RIGHTS THERETO ARE RESERVED BY KEISER CORP.

DIMENSIONS ARE IN INCHES  
 DIMENSIONS IN [ ] ARE MILLIMETERS  
 BREAK SHARP EDGES .005-.015 [.10-.40]  
 MACHINED SURFACE FINISH IS  
 63 MICROINCHES [1.6 MICROMETERS]  
 DO NOT SCALE DRAWING

DRAWN BY: BJU	DATE DRAWN: 10/13/20	CHECKED BY: LC	DATE CHECKED: 1/22/21
---------------	----------------------	----------------	-----------------------

MATERIAL:  
 RAW MAT:

REV	ECO	RFP	BY	CKD	DATE	TITLE:
A	3808	RFP	BJU	LC	1/22/21	A-250 ABDOMINAL - SA
REV	ECO		BY	CKD	DATE	SHEET 2 OF 2 SCALE: 1:8 DRAWING SIZE: B PART#: 2721XP-SA

TITLE: A-250 ABDOMINAL - SA  
 SHEET 2 OF 2 SCALE: 1:8 DRAWING SIZE: B PART#: 2721XP-SA